



FG



Self-operating Flood Guard for Air Valves

Description

The FG, flood guard attachment, protects potable water systems from external contamination caused by floodwater overflow. The contaminated water fills the manhole and enters the pipeline via the air & vacuum (kinetic) discharge outlet. The FG seals at zero pressure, guaranteeing a leak-tight seal and preventing the water from entering the air valve.

The effective intake and discharge flow rates of the air valve are maintained and not affected by the flood guard attachment.

Note: Under flooding conditions, when the FG is sealed, the air valve will not intake air in the event of negative pressure (vacuum) conditions.

Applications

- Potable water
- Raw water

Technical Data

- Pressure rating:
Zero sealing pressure requires only buoyant force
Seals up to 10M water column head
Negative pressure cannot seal the float
- Sizes: 2", 3", 4" (male thread)
- Adaptable Products:
D-060 + NS (2" - 4"), D050 (2" - 4")

Advantages

- Efficient - full flow intake and discharge of air
- Hygienic - prevents contamination during flooding
- Self-operating float - no auxiliary power required
- Adaptable - mountable on various types of valves
- Retrofitting - easily installable on existing products
- Simple to use - few parts and easy handling
- Economic - effective emergency measure for failing manholes
- Zero sealing pressure - new seal concept; closes drip-tight immediately
- Non-corrosive - all parts made of composite materials and stainless steel
- Lightweight - 3 kg total weight
- Minimum maintenance – periodic examination of screen integrity (intact and clean of debris).

Note

When ordered together with the air valve, all fillings and connections will come assembled.

When ordered as a separate unit, all fittings and connections are the responsibility of the buyer.

Operation

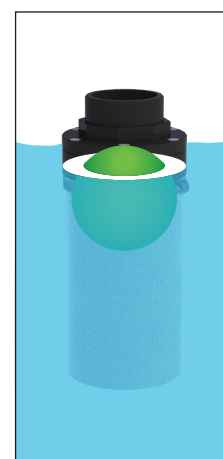
As long as the flood level is below the flood guard, unobstructed ventilation is possible.



If the flood level continues to rise, the float of the flood guard will rise with the buoyant force.



When the float reaches the sealing seat, it closes the flood guard drip-tight, preventing the intake of contaminated water.

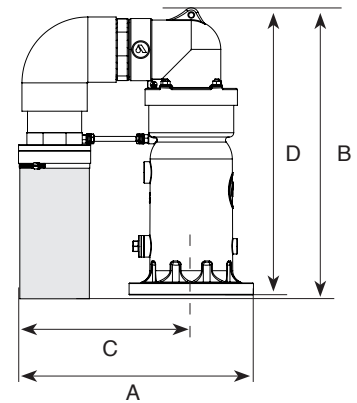


Dimensions

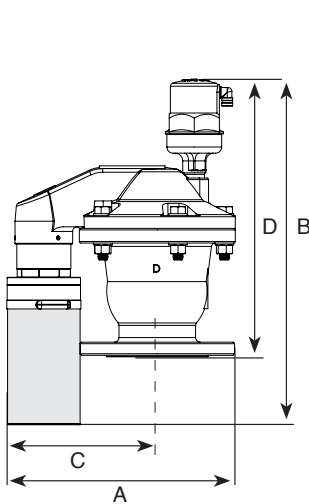
Model	Size	A mm	B mm	C mm	D mm
D-050	2"	300	390	190	310
D-060	2"	320	340	210	330
D-060 NS	2"	316	299	192	354
<hr/>					
D-050	3"	310	420	240	330
D-060	3"	385	400	260	380
D-060 NS	3"	422	413	283	495
D-43	3"	278	473	281	467
D-46	3"	393	471	288	468
<hr/>					
D-050	4"	360	540	240	385
D-060	4"	480	510	325	460
D-060 NS	4"	518	495	363	598
D-43	4"	398	473	281	467
D-46	4"	491	550	376	548
<hr/>					
D-43	6"	513	547	363	537



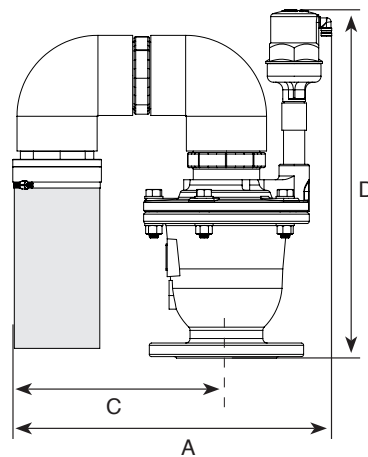
FG Attached to D-46 3"



FG Attached to D-050 3"



FG Attached to D-060 3"



FG Attached to D-060 NS 3"

